

AFTERCARE INSTRUCTIONS

Your fitting has a high quality finish and should be treated with care to preserve the visible surfaces.

All surface finishes will wear if not cleaned correctly, the only safe way to clean your mixer is to wipe with a soft damp cloth. Stains can be removed using washing up liquid. All bath cleaning powders and liquids will damage the surface of your fitting, even the non-scratch cleaners.

NOTE: Never use abrasive detergents or disinfectants or those containing alcohol, hydrochloric acid or phosphoric acid.

Bristan recommend E-Cloth for cleaning all of our bathroom & kitchen products. Using just water, E-cloth gives a smear free, deep clean by breaking up and holding dirt, which normal cloths leave behind. Order through your Bristan stockist. (ORDER CODE: E-CLOTH)



GUARANTEE

All products are manufactured to the highest standards and a 5 year guarantee covers any defect in manufacture.

All products must have access for servicing or replacement during the life of the product.

In the interests of continuous product development we reserve the right to alter specification as necessary

PRODUCT CODE: PM SNK C

TELEPHONE HELPLINE: 0844 701 6273

Bristan Group Limited
Birch Coppice Business Park
Dordon
Tamworth
Staffordshire
B78 1SG
UK

A Masco Company

Website: www.bristan.com
Telephone: 0844 701 6274
Facsimile: 0844 701 6275
Email: enquire@bristan.com

BRISTAN

Prism Monobloc Sink Mixer (PM SNK C)

Fitting Instructions & Contents List

Before starting any installation project please consider:

Prior to drilling into walls, check there are no hidden electrical wires, cables or water supply pipes with the aid of an electronic detector. If you use power tools do not forget:

- Wear eye protection
- Unplug equipment after use



Please keep these instructions for future reference

INSTALLATION REQUIREMENT NOTES

IMPORTANT - PLEASE READ

This/these fitting/fittings needs/need to be installed in accordance with the following Installation Requirements and Notes (IRN) to ensure they meet the requirements of the Water Supply (Water Fittings) Regulations 1999 and the Scottish Byelaws 2004.

IRN R001

See text of entry for Installation Requirements or Notes.

IRN R006

This tap or combination tap is installed so that its base is no lower than the spillover level of the receiving vessel (for example, a sink or washbasin), a Type AUK3 air gap is achieved which permits installation of the tap in any premises where backflow protection up to Fluid Category 5 is required at the tap.

IRN R010

Schedule 2-15 (1)

Water supplies shall be reasonably balanced pressures from a common source (e.g. hot and cold supplies both from the same storage or both from a supply pipe). Where the fitting is supplied from unbalanced supplies (e.g. hot and cold supplies from separate sources) a '**Listed**' **single check valve** or some other no less effective backflow prevention device shall be fitted immediately upstream of both hot and cold water inlets.

WATER PRESSURE

Operating Pressures: Min 0.2 bar, Max 7.0 bar.

This mixer is suitable for use at all supply pressures.

If the fitting is installed at low pressure (tank fed), then the minimum height from the outlet nozzle to the underside of the cold tank should be 2 metres to ensure adequate shower performance.

This mixer is supplied with a single check valve in each supply pipe to prevent backflow i.e. cold for the mains and hot via a hot cylinder, to comply with Water Regulations. For further details, contact your Local Water Authority.

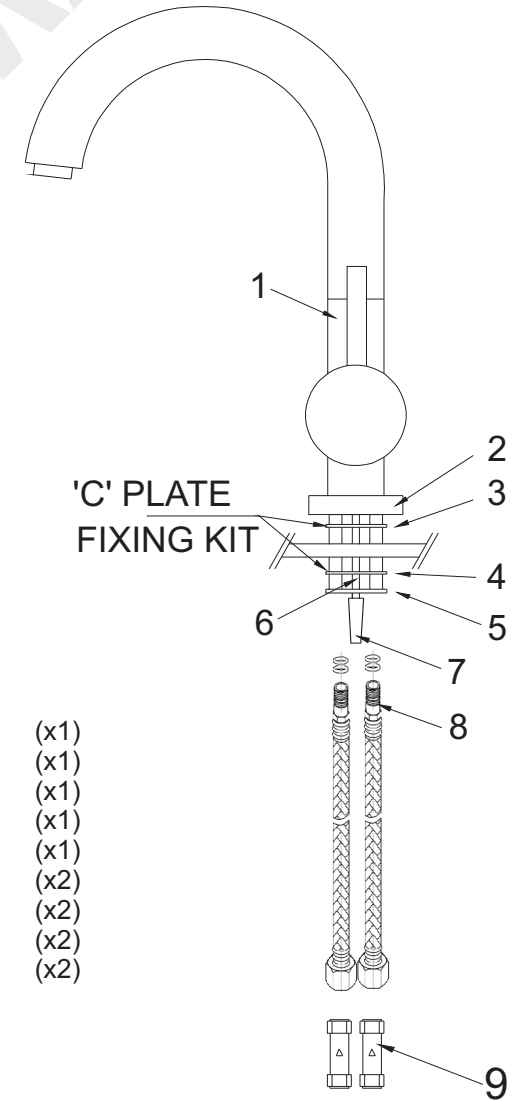
NOTES:

Please use this page to add any notes which you, or your installer may have regarding the plumbing system / installation of this product.

NOTES:

Please use this page to add any notes which you, or your installer may have regarding the plumbing system / installation of this product.

CONTENTS



CONTENTS

- | | |
|---------------------------|------|
| 1. Mixer | (x1) |
| 2. Plinth | (x1) |
| 3. O-Ring | (x1) |
| 4. C-shaped rubber washer | (x1) |
| 5. C-shaped metal washer | (x1) |
| 6. Threaded Rod | (x2) |
| 7. Retainer | (x2) |
| 8. Flexi Pipes | (x2) |
| 9. Check Valves | (x2) |

INSTALLATION

1. Identify all components and check for completeness, particularly before commencing installation.
2. Fit the mixer body (1) to the sink using the 'C' plate fixing kit. The metal plinth (2) and O-ring (3) go between the fitting and the sink, and the 'C' shaped rubber washer (4) and metal (5) washers on the underside of the sink to be secured by the threaded rod (6) and retainer (7).
3. Fit the flexi tail pipes (8) to the fitting **(BY HAND ONLY)** and connect the check valves (9) to the hot inlet **DO NOT OVERTIGHTEN**. Connect the hot and cold supplies.
Please Note: with the handle on the right, the hot supply should be connected on the left.
4. Fully open the mixer, letting it run for a few minutes to flush out the system. And check all joints and connections for leaks.
5. See over the page for aftercare instructions.

MAINTENANCE AND/OR CARTRIDGE REPLACEMENTS

If the fitting begins to drip:-

1. Isolate water supplies.
2. Lever out the small indice plug in the front of the handle.
3. Unscrew the shroud and brass retaining plate and lift out the cartridge complete with seals.
4. Grease seal and fit the new cartridge.

NOTE: That there are locating pins on the bottom of the cartridge that fit in holes inside the tap, to ensure it is fitted the right way around.

5. Refit the handle and tighten the grub screw. Replace the small plastic cap.

NOTE: We advise that your fitting is regularly serviced in hard water areas to maintain optimum performance (see map of Hard Water Regions in the UK).

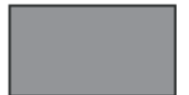
MAP OF HARD WATER REGIONS IN THE UK



Soft to moderately soft
0 - 100mg/l as calcium carbonate equivalent



Slightly hard to moderately hard
100 - 200mg/l as calcium carbonate equivalent



Hard to very hard
Above 200mg/l as calcium carbonate equivalent

